

# PAPER HANGER SERIES

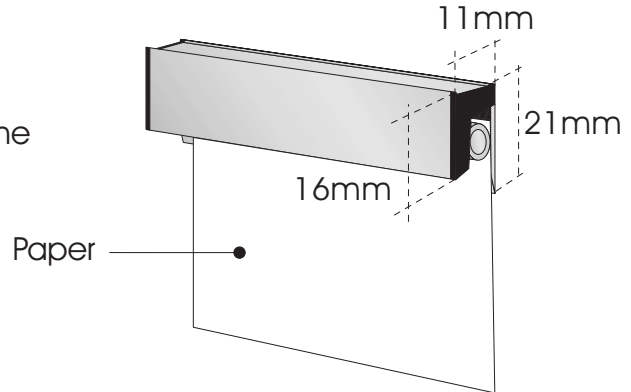
## Sizes and Instructions

Registered Design

SIZE	LENGTH
A	52.5 mm
B	105.0 mm
C	157.5 mm
D	210.0 mm
E	262.5 mm
F	315.0 mm
G	367.5 mm
H	420.0 mm
I	472.5 mm
K	525.0 mm
L	577.5 mm
M	630.0 mm
N	682.5 mm
O	735.0 mm
P	787.5 mm
Q	840.0 mm
R	892.5 mm
S	945.0 mm
T	997.5 mm
U	1050.0 mm
V	1102.5 mm
W	1155.5 mm
X	1207.5 mm
Y	1260.0 mm
Z	1312.5 mm
AA	1365.0 mm
BB	1417.5 mm
CC	1470.0 mm
DD	1522.5 mm
EE	1570.0 mm
FF	1627.5 mm
GG	1680.0 mm
HH	1732.5 mm
II	1785.0 mm
KK	1837.5 mm
LL	1900.0 mm

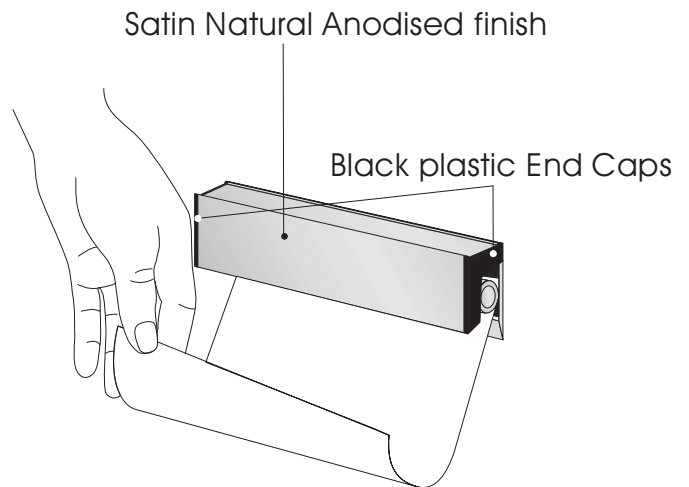
- Maximum length available 1900mm.
- The Paper Hanger can be cut to any desired length up to 1900mm.
- The Paper Hanger can be cut to any of the standard sizes listed on this page if you are matching or combining it with the Architectural Modular Series.

Insert the paper behind the aluminium rods.



### REMOVAL - OPTION 1

Take bottom of paper and lift up and forward



### REMOVAL - OPTION 2

Take the left or right side of paper and slide it out sideways

