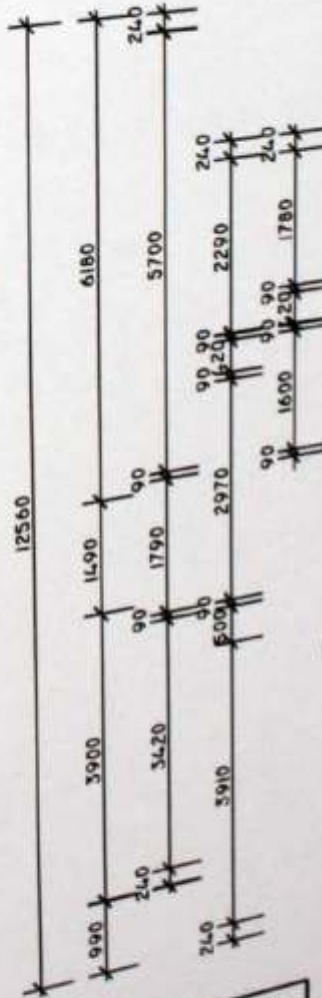


## GROUND FLOOR PLAN

SCALE 1:100

Residence	173.82 sqm
Garage/Store	41.71 sqm
Porch	1.19 sqm
Verandah	3.34 sqm
Outside Liv.	17.85 sqm



**FLOOR PLAN LEGEND:**

	EXHAUST FAN
	SMOKE DETECTOR
	DOWNPIPE LOCATION
	MANHOLE (CEILING ACCESS)
	ELECTRICAL METERBOARD (TRIO)

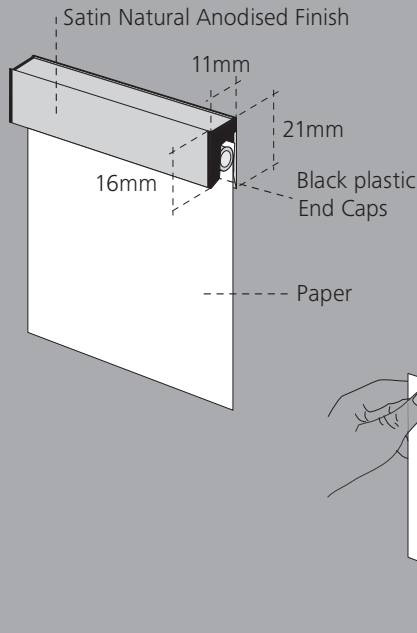
DESIGNED BY: [ ]  
 DRAWN BY: [ ]  
 CHECKED BY: [ ]  
 APPROVED BY: [ ]

## PAPER HANGER SERIES

Based on the "gravity principle, the Paper Hanger Series utilises an aluminium extrusion with internal rods that grip and hang paper for display purposes.

The Paper Hanger Series is ideal for notes, messages, architectural plans, displays, posters or boardroom presentations.

It can be attached using double-sided foam tape directly to a wall, workstation or any other flat surface.



## HOW TO OPERATE

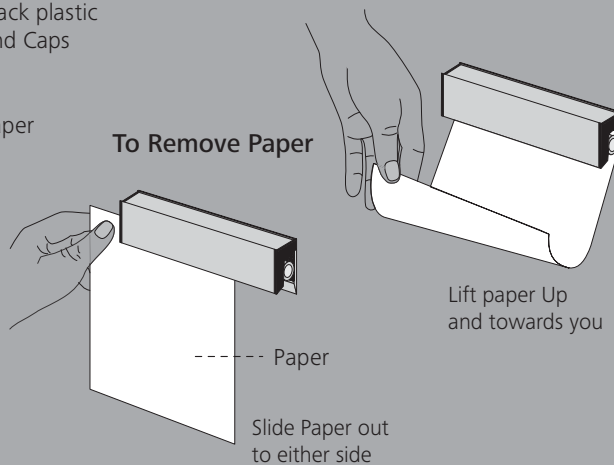
Paper is easily inserted in behind the aluminium rods and is gripped in place through gravity and the grooved surface within the extrusion.

To remove, take the bottom of the paper and lift it up and away from the wall or substrate.

Alternatively, slide the paper out sideways to the left or the right. The Paper Hanger is designed to accept a single piece of paper.

The Paper Hanger can also be used with the Architectural Modular Series.

The Paper Hangers 21mm high extrusion allows for it to be simply attached to the Architectural Modular Series 21mm high insert with the use of double-sided tape.



## SIZES

The Paper hanger Series is available in lengths up to 1900mm. It can be cut down to your required size.

Longer lengths can be achieved by removing the End Caps and butt-joining 2 or more lengths together. End Caps are only required on the extreme left and right of the finished Paper Hanger to secure the rods.

## FINISH

- The standard finish of the aluminium extrusion is Satin Natural Anodised
- The End Caps are black plastic.

## INSTALLATION

The Paper Hanger can be installed with double-sided foam tape.

## POSSIBLE USES

- Staff notices
- Messages
- Schedules
- Notes
- Opening hours
- Hospital / Patient Identification
- Instructions
- Menus
- Price lists
- Phone extension lists

Registered Design



## CONTACT DETAILS

S2K Identity Systems  
9 Lennox Street, Moorabbin, Victoria, Australia 3189

T: 613 9555 7473 F: 613 9555 7579  
E: info@s2k.com.au W: www.s2k.com.au

**S2K**  
IDENTITY SYSTEMS