

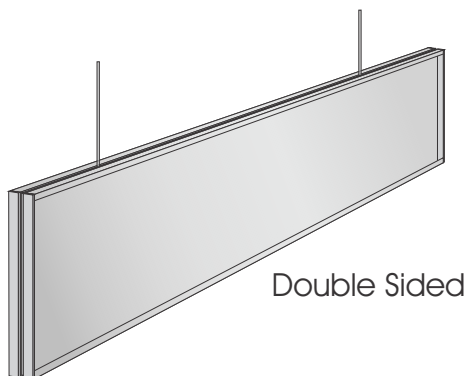
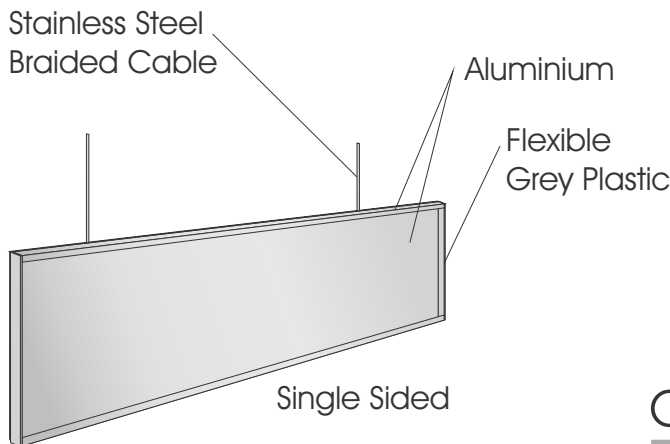
VERTEX SERIES

Product Information

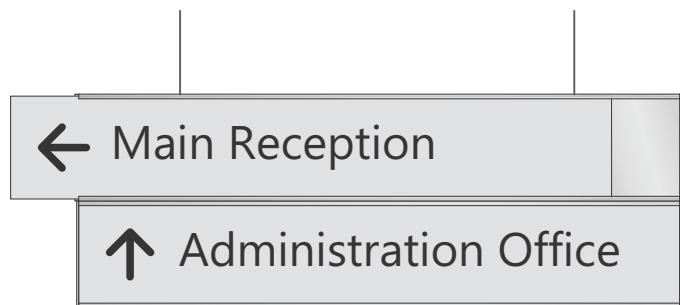
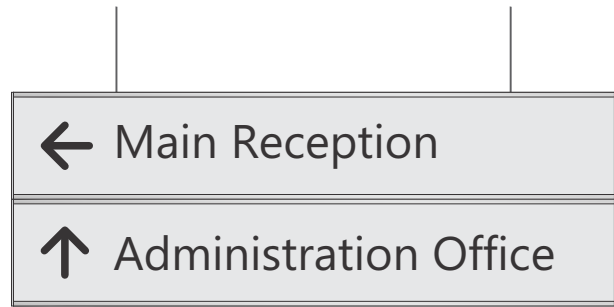
The Vertex Series is a simple ceiling suspended sign system. It is designed to be lighter and easier to update than other systems of its kind. Vertex Series can accept a range of insert panels, thus offering you more choice with your design and graphic options.

The aluminium frame is designed to accept a variety of sheet materials that can be changed over, if and when desired.

The flexible End Caps make it simple to slide the sheet material in and out of the frame if desired.



Slide your selected insert panel material into the frame/channel with the completed graphics.



Insert Panels Slide out to the left or right side.

FINISH

- Frame - The Standard finish is clear anodised aluminium.
- End Caps - Grey (Flexible Plastic)
- Painting - Both the frame and the End Caps can be painted if required.

OPTIONAL INSERT PANELS

- Aluminium Plate 1 - 2mm thick (From S2K)
- Clear Acrylic 1 - 2mm thick (From S2K)
- Coloured Acrylic 1 - 2mm thick (By Others)
- Alucabond 1 - 2mm thick (By Others)
- Stainless Steel 1 - 2mm thick (By Others)
- Or any other sheet material of above thickness.

NOTE: If access to change insert panels is limited at either end of the suspended sign, we recommend that you choose flexible panel material.