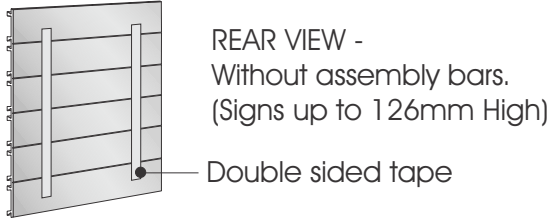


INSTALLATION INSTRUCTIONS

Architectural Modular Series

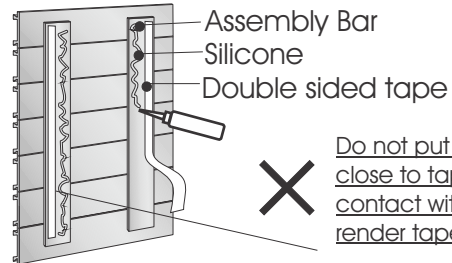
TAPE & SILICONE INSTALLATION



All surfaces must be clean, dry and free from dust, oil or any foreign matter.

Double sided foam tape only for:

- signs up to 210mm x 210mm approx.
- stable environment
- smooth surfaces

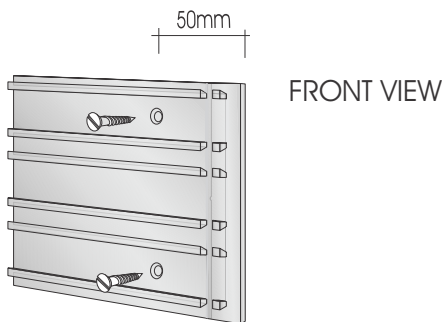


REAR VIEW - With Assembly Bars.
(Signs from 147mm & up in height)

D/S foam tape & silicone for:

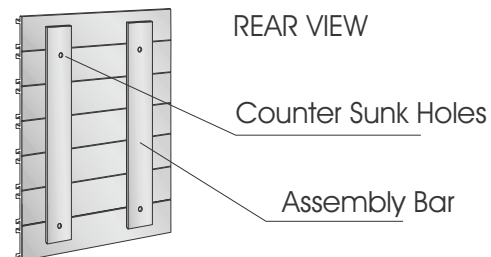
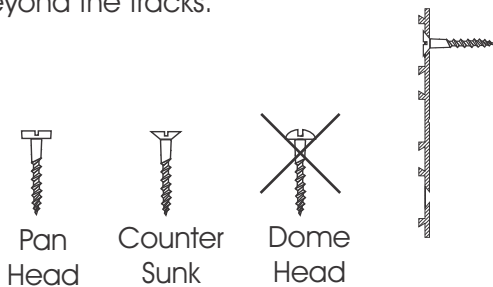
- signs up to 630mm x 630mm approx.
- smooth surface

SCREW FIX INSTALLATION

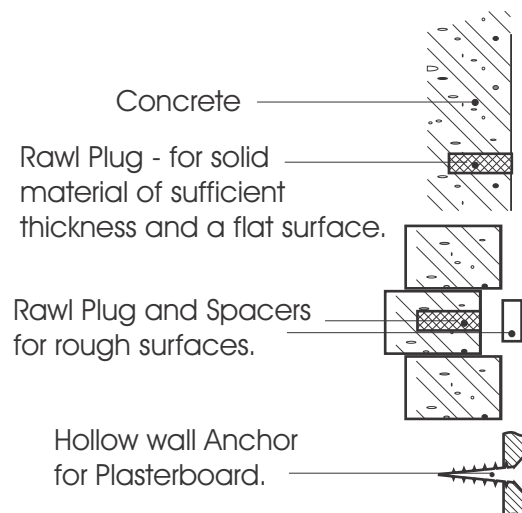


Screw fixing is recommended for:
Signs above 630mm x 630mm.

Drill counter sunk holes 50mm in from the edge of the Base Plate, central in the track
The screw head must not protrude beyond the tracks.



Signs provided with assembly bars must be fixed at this point. Do not fasten signs in between assembly bars unless appropriate spacers are used.



***** S2K Identity Systems will not be held responsible for incorrect installation. All installations must be assessed on their own merit by the installer.