

# INFOSTRIP

## HOW IT WORKS

InfoStrip is a ticket strip extrusion that is suitable for labelling shelves, drawers, pigeon holes, cupboards, filing cabinets, display cabinets and more.

It can be used with a paper insert alone, or with an acetate and paper insert combined for added protection.

### Installation:

Double sided tape.

### Maximum length:

2000mm

### Sizes:

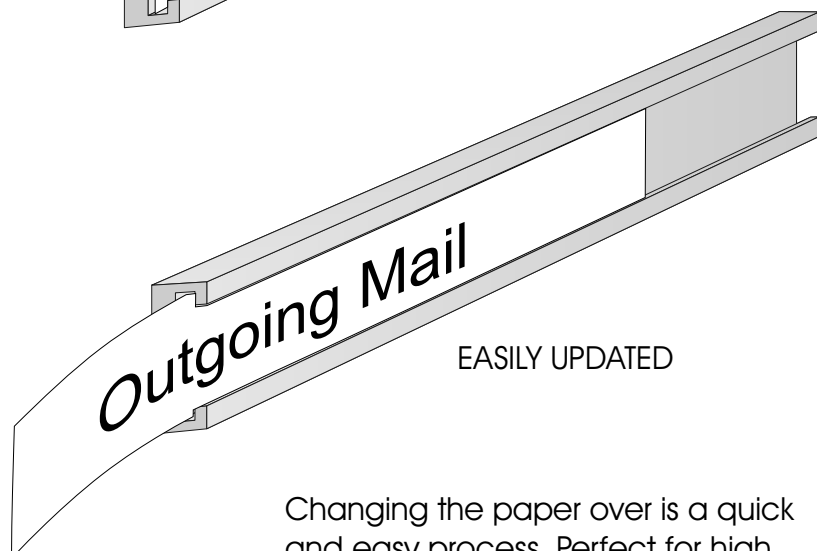
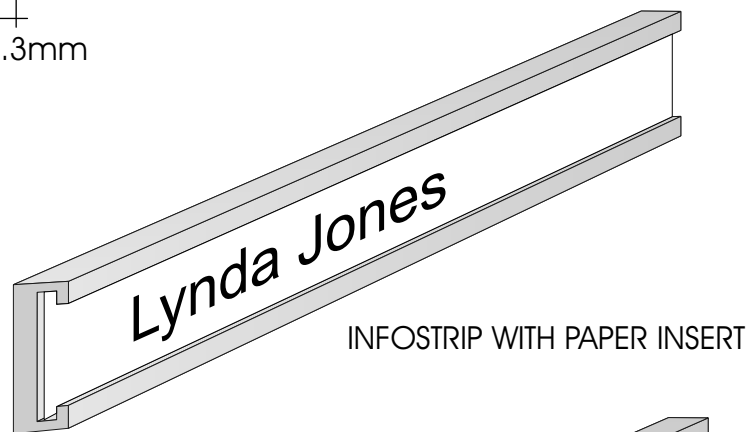
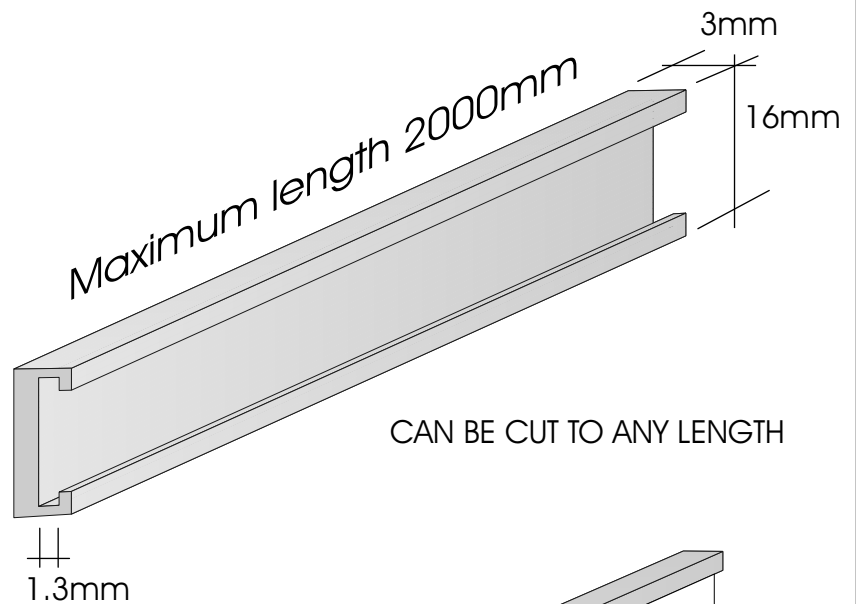
InfoStrip can easily be cut to any size.

### Standard Finish:

Satin Natural Anodised Aluminium.

### Painting:

InfoStrip can be painted if required. A suitable undercoat must be used to prime.



Changing the paper over is a quick and easy process. Perfect for high turnover names or labels.

Designed for a clean streamlined presentation for all labelling.